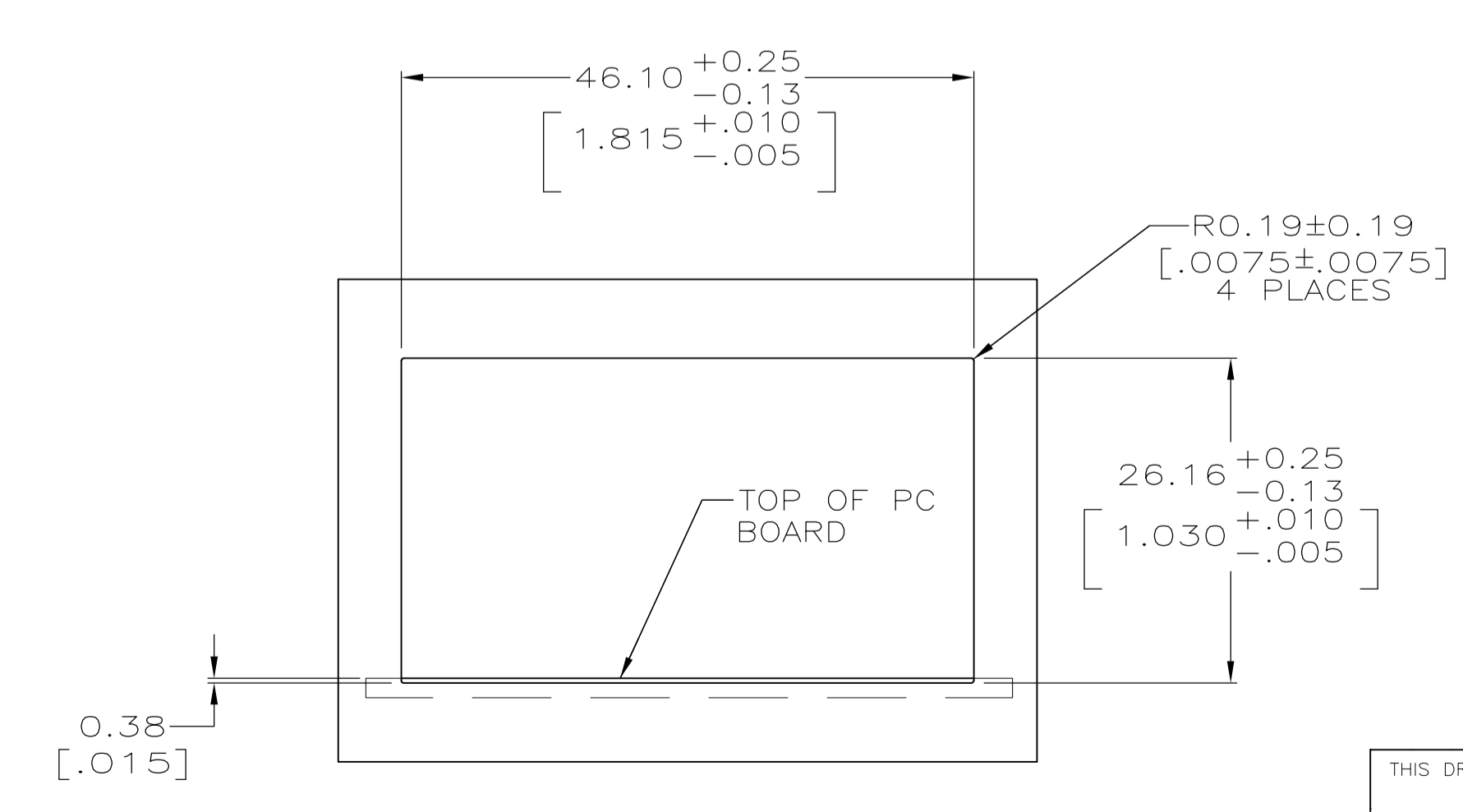
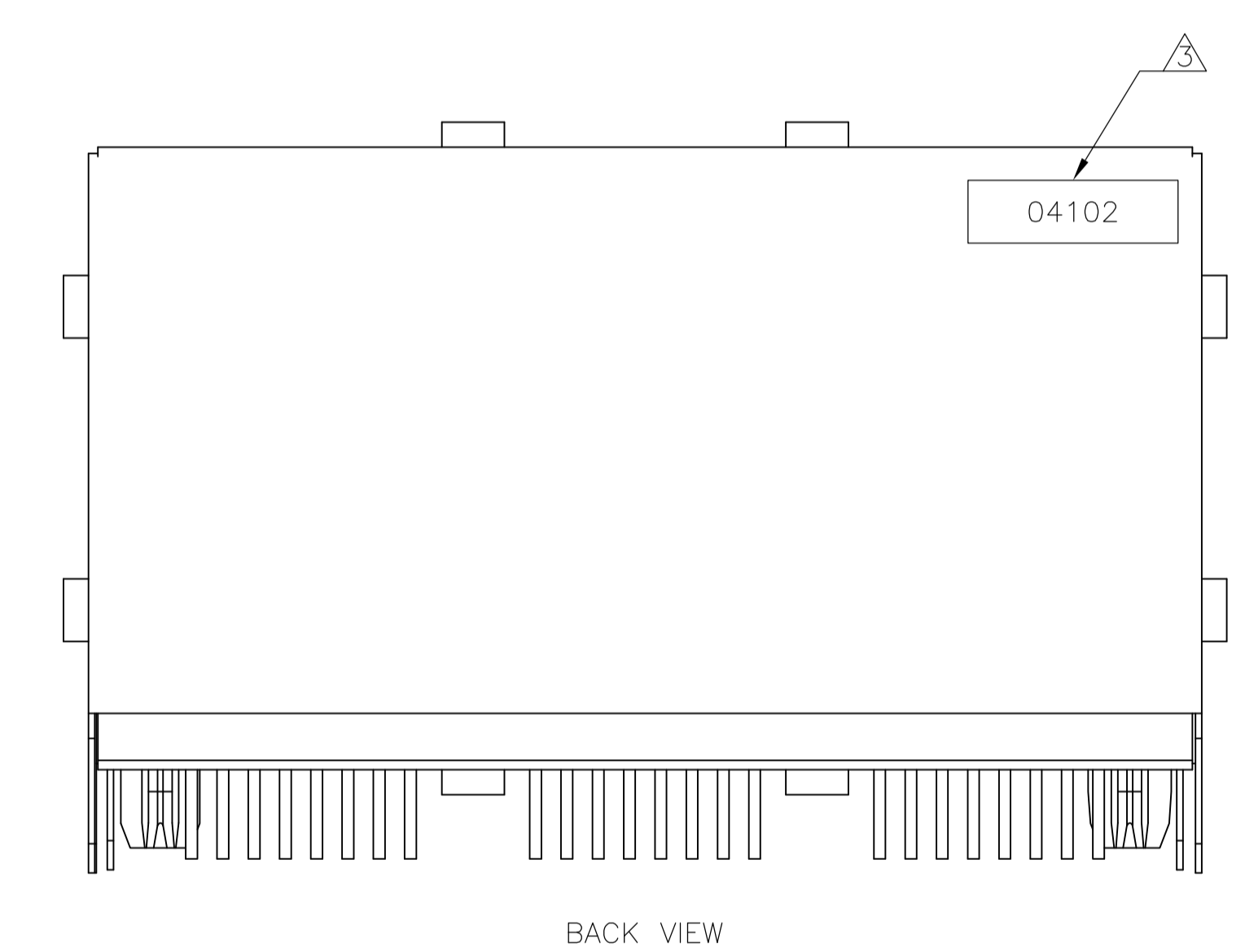
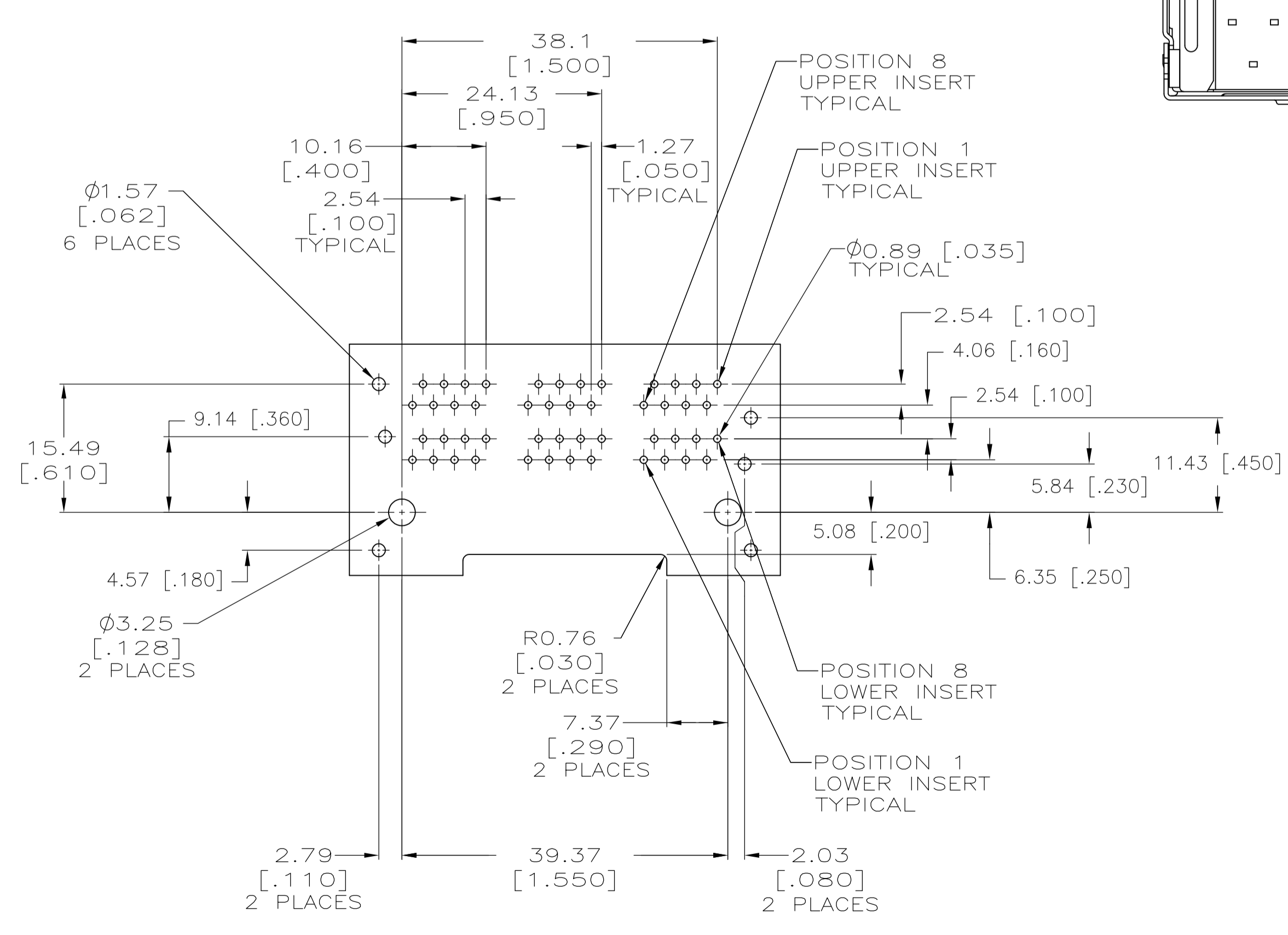
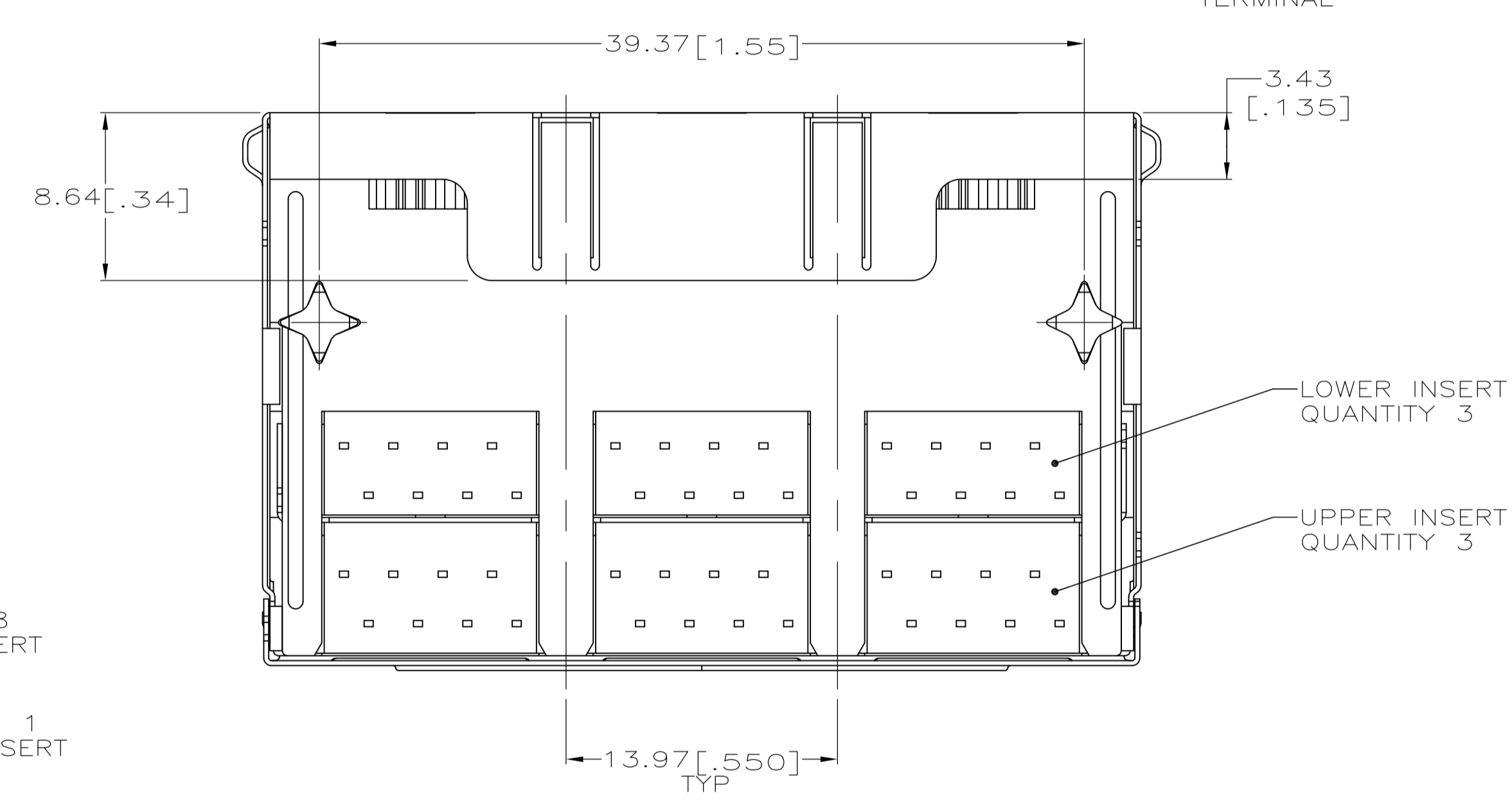
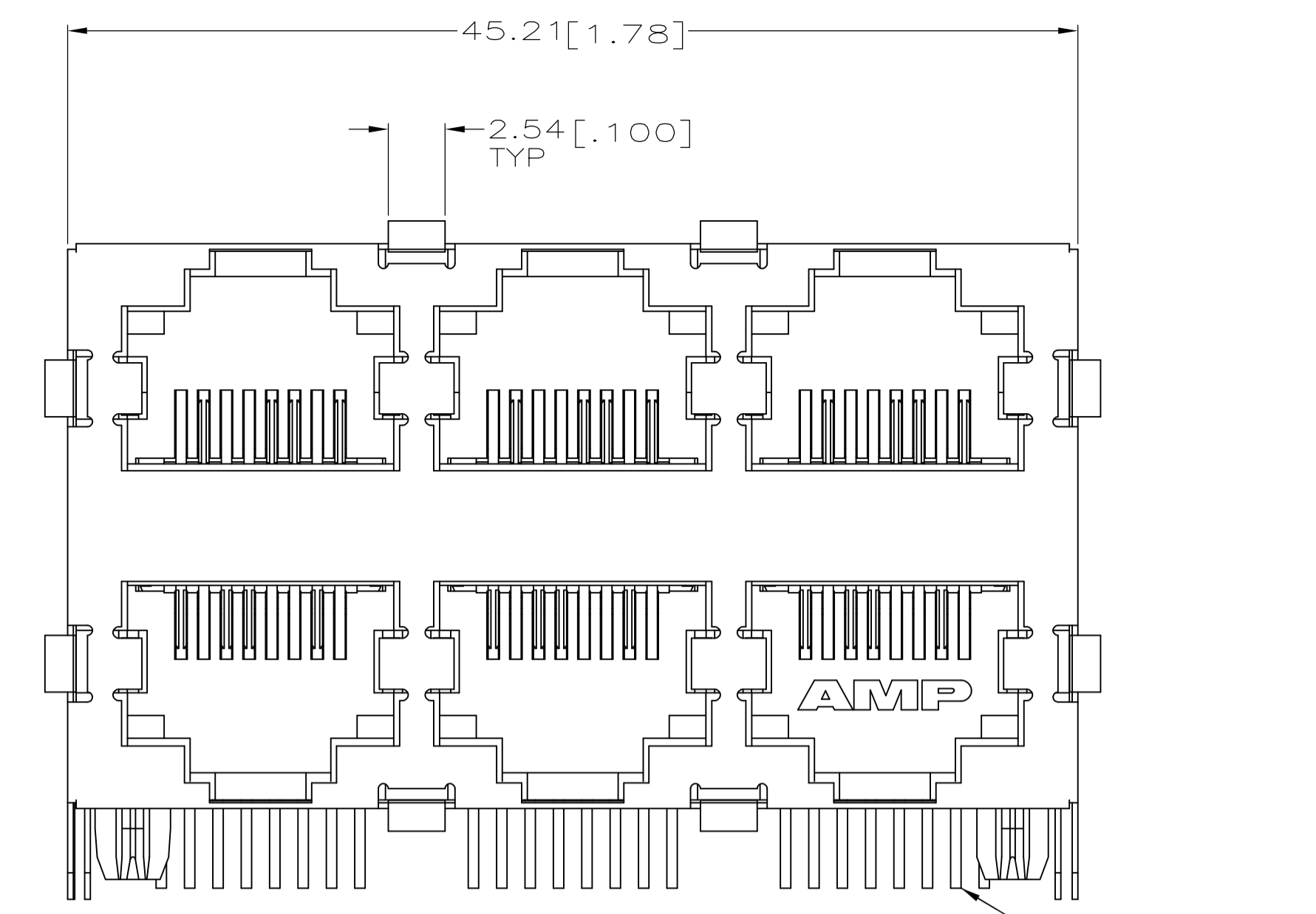
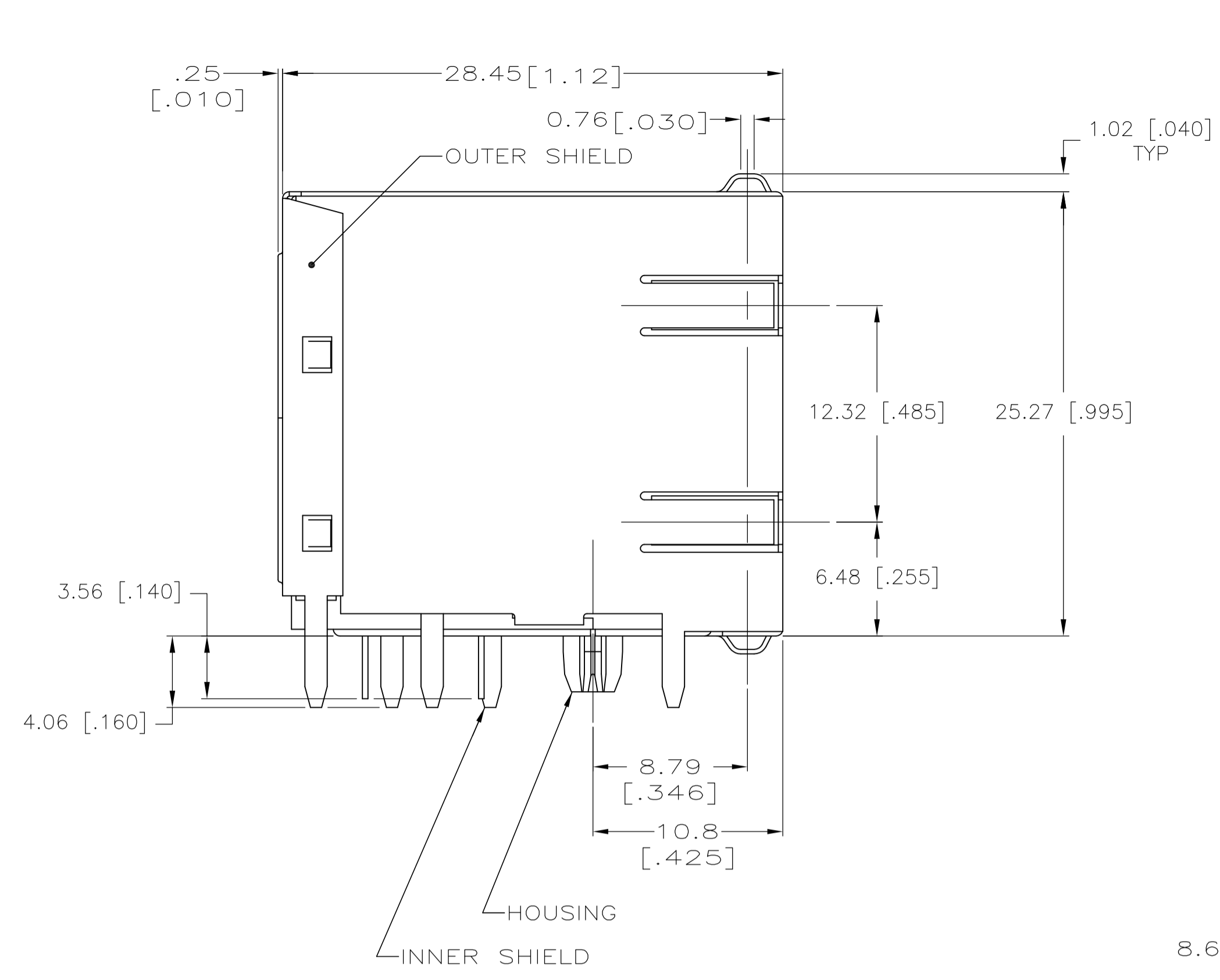


LOC		DIST		REVISONS			
AA	22	F	LTR	DESCRIPTION	DATE	DWN	APVD
A1				REVISED ECR-08-031628	02DEC08	AZ	SY



PC BOARD LAYOUT VIEWED FROM COMPONENT SIDE SCALE 2:1

- MATERIAL: HOUSING - PCT POLYESTER, BLACK, UL94V-0. OVERMOLDED TERMINAL ARRAY - PBT, BROWN. TERMINALS - 0.33 [.013] THICK PHOS BRONZE PLATED WITH 1.27um [.000050] MIN THICK HARD GOLD IN LOCALIZED AREA AND 3.81um [.000150] MIN THICK MATTE TIN IN SOLDER AREA OVER 1.27um [.000050] MIN THICK NICKEL UNDERPLATE. SHIELDS - 0.25 [.010] THICK COPPER ALLOY PLATED WITH 1.27 um [.000050] MINIMUM NICKEL AND 2.03 um [.000080] MINIMUM HOT TIN DIP ON PCB GROUND TABS.
- JACK CAVITY CONFORMS TO FCC RULES AND REGULATIONS, PART 68 SUBPART F.
- DATE CODE LOCATED ON REAR OF PART APPROXIMATELY AS SHOWN: FIRST 2 DIGITS ARE LAST 2 DIGITS OF YEAR, SECOND 2 DIGITS ARE MANUFACTURING WORK WEEK, LAST DIGIT IS DAY OF WEEK, WITH SUNDAY = 1.

THIS DRAWING IS A CONTROLLED DOCUMENT.		DIN A. FERNANDEZ-DOCKS 15JUN2005	Tyco Electronics Corporation	
DIMENSIONS: mm [INCHES]		CHK J. WESTMAN 15JUN2005	Harrisburg, PA 17105-3608	
TOLERANCES UNLESS OTHERWISE SPECIFIED:		APVD S. FLICKINGER 15JUN2005	NAME	
0 PLC ± -	1 PLC ± -	108-1163-2		
2 PLC ± 0.25(.01)	3 PLC ± 0.13(.005)	APPLICATION SPEC		
4 PLC ± -	ANGLES ± -	SIZE	CAGE CODE	DRAWING NO
MATERIAL	FINISH	114-2048	A1	00779
CUSTOMER DRAWING		SCALE 4:1	SHEET 1 of 1	REV A1